

Xtreme
in innovation

primus

laundry equipment

HIGH EFFICIENT RIGID MOUNTED INDUSTRIAL WASHER EXTRACTORS

RX80 RX105 RX135



FEATURES

- Rigid mounted, medium spin, 200 G-factor
- Stainless steel top panel & Anthracite grey front and side panels
- Stainless steel drum and tub
- Xcontrol - easy to use microprocessor
- Patented Soap Hopper
- Large drain valve (Ø 76 mm)
- Easy access to all vital parts from the front
- Large door opening for easy loading & unloading

OPTIONS

- Xcontrol Plus - Fully programmable
- Coin operated timer (CPS)
- Stainless steel front and side panels
- USB plug (on the back panel)
- Easy Soap - liquid soaps connection
- Liquid soap pumps
- Water recovery kit
- Steam heating version
- Drain pump (RX80)
- 3rd water inlet



ERGONOMICAL
CONSTRUCTION



LARGE DOOR
OPENING



LOW WATER AND ENERGY
CONSUMPTION

cascade
drum

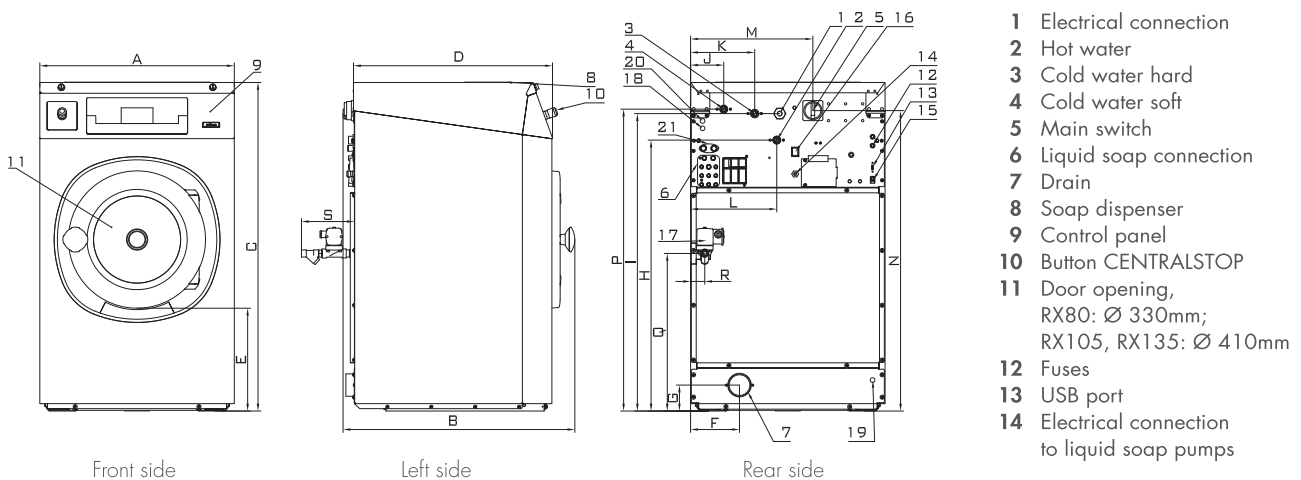


superreco

POWERWASH

TRACE-TECH

TYPE		RX80	RX105	RX135
INNERDRUM				
maximum capacity 1:9	kg	9	12	15
capacity 1:10	kg	8	11	14
volume	litres	75	105	135
diameter	mm	530	620	620
DRUM SPEED				
wash	rpm	50	46	46
extraction	rpm	820	760	760
G-FACTOR		200	200	200
HEATING				
electricity (standard)	kW	6 / 9	6 / 9 / 12	9 / 12
steam	bar	1 - 8	1 - 8	1 - 8
hot water	°C	90	90	90
Sound pressure level	dB (A)	< 65	< 65	< 65
Water valves connection	BSP	3/4"	3/4"	3/4"
Water pressure	kPa	100-800	100-800	100-800
Rec. water pressure	kPa	300-500	300-500	300-500
Water inlet	l/min	20	20	20
Drain valve	outer Ø mm	76	76	76
Flow amount with drain valve	l/min	210	210	210
Steam valve connection	BSP	1/2"	1/2"	1/2"
Steam pressure	kPa	100-800	100-800	100-800
DIMENSIONS				
Size HxWxD	mm	1115x660x785	1225x750x785	1225x750x900
TRANSPORT DATA				
Gross	kg	145	185	200
Net	kg	135	170	190
Packed HxWxD	mm	1245x710x835	1355x800x835	1355x800x950



DIMENSIONS

	A	B	C	D	E	F	G	H	I	J	K	L	M	N	P	Q	R	S
RX80	660	785	1115	676	349	166	88	920	1010	113	218	293	415	1020	1025	535	48	180
RX105	750	785	1225	676	342	225	98	1030	1120	113	218	338	505	1130	1135	480	42	192
RX135	750	900	1225	788	342	225	98	1030	1120	113	218	338	505	1130	1135	480	42	192
	width	depth	height															

		RX80
Water consumption	l/kg	7,2
Electricity consumption	kWh/kg	0,19

* Program No 11

The company Primus preserves the right to change the machines and the specification in this leaflet at any time, without prior notice. Details and photographs are only for information and never binding.

www.primuslaundry.com

