

**Xtreme**  
in innovation

**primus**

laundry equipment

## HIGH EFFICIENT SOFT MOUNTED WASHER EXTRACTORS

**FX65 FX80 FX105 FX135**



### FEATURES

- Freestanding, high spin (up to 1165 RPM - FX65,80)
- Stainless steel top panel & Anthracite grey front and side panels
- Xcontrol - easy to use microprocessor
- Patented Soap Hopper
- Large drain valve (Ø 76 mm)
- Easy access to all vital parts from the front
- Large door opening for easy loading & unloading

### OPTIONS

- Xcontrol Plus - Fully programmable
- Coin operated timer (CPS)
- USB plug (on the back panel)
- Stainless steel front panel
- Easy Soap - liquid soaps connection
- Liquid soap pumps
- Water recovery kit
- Steam heating version
- Drain pump (FX65, 80)



ERGONOMICAL  
CONSTRUCTION



LARGE DOOR  
OPENING



LOW WATER AND ENERGY  
CONSUMPTION

**cascade**  
drum

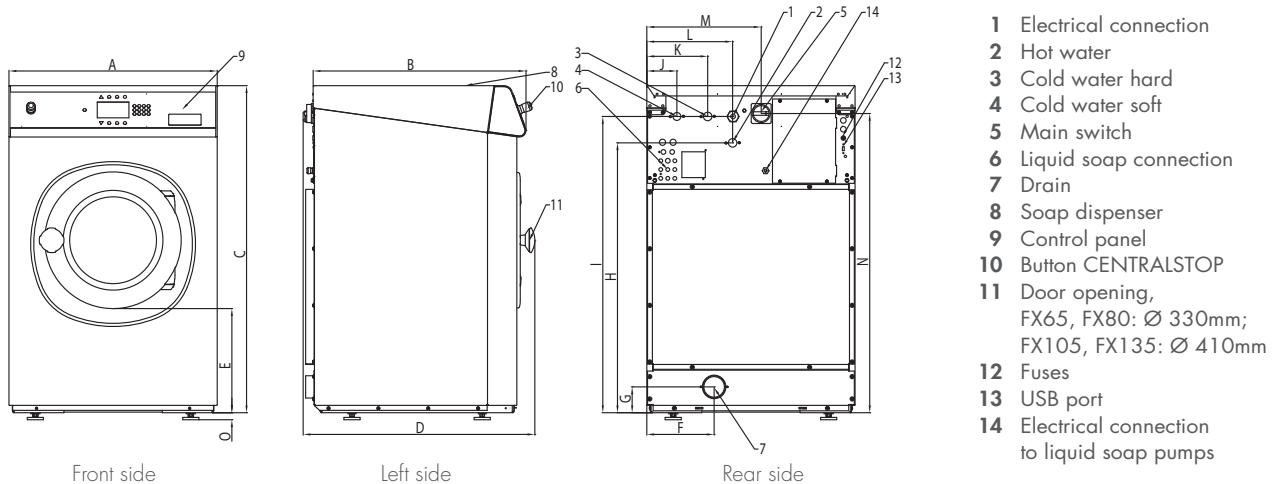


**supereco**

**POWERWASH**

**TRACE-TECH**

TYPE		FX 65	FX80	FX105	FX135
INNERDRUM					
capacity	kg	7	8	11	14
volume	litres	65	75	105	135
diameter	mm	530	530	620	620
DRUM SPEED					
wash	rpm	49	49	49	49
extraction	rpm	1165	1165	1075	1075
G-FACTOR		400	400	400	400
HEATING					
electricity (standard)	kW	6 / 9	6 / 9	6 / 9 / 12	9 / 12
steam	bar	1 - 8	1 - 8	1 - 8	1 - 8
hot water	°C	90	90	90	90
WEIGHT, NET	kg	170	185	210	255
Sound pressure level	dB (A)	< 65	< 65	< 65	< 65
Water valves connection	BSP	3/4"	3/4"	3/4"	3/4"
Water pressure	kPa	100-800	100-800	100-800	100-800
Rec. water pressure	kPa	300-500	300-500	300-500	300-500
Water inlet	l/min	20	20	20	20
Drain valve	outer Ø mm	76	76	76	76
Flow amount with drain valve	l/min	210	210	210	210
Steam valve connection	BSP	1/2"	1/2"	1/2"	1/2"
Steam pressure	kPa	100-800	100-800	100-800	100-800
WEIGHT, GROSS	kg	180	200	235	275



#### DIMENSIONS

	A	B	C	D	E	F	G	H	I	J	K	L	M	N	O
FX65	710	676	1115	740	349	230	82	914	1004	113	218	293	390	1020	24
FX80	710	726	1115	790	355	230	88	920	1010	113	218	293	390	1020	24
FX105	795	761	1225	795	342	230	88	1030	1120	103	208	293	475	1130	24
FX135	795	911	1225	945	342	230	88	1030	1120	103	208	293	475	1130	24
	width	depth	height												

		FX80
Water consumption	l/kg	7,2
Electricity consumption	kWh/kg	0,19

\* Program No 11



WATCH THE FX VIDEO  
[www.bit.ly/videoefx](http://www.bit.ly/videoefx)



The company Primus preserves the right to change the machines and the specification in this leaflet at any time, without prior notice. Details and photographs are only for information and never binding.

[www.primuslaundry.com](http://www.primuslaundry.com)

