



PONY
FINISHING FIRST

Your Shirt, First

ULTIMATE PONY SHIRT FINISHERS

**TECHNOLOGY
FIRST**

Your needs,
Your expectations,
Your goals **FIRST**.

This is our FINISHING FIRST philosophy.

All PONY shirt finishers feature the following technologies



PONY SLEEVE TECHNOLOGY

Special rounded and rotating sleeve clamps with pneumatic height adjustment and special Teflon heads for the superb finish of the shirt's plackets. The innovative engineering of the sleeve arms, which resemble a reversed V, ensures a greater stability. It also allows pneumatic stretching movements that result in a perfectly stretched sleeve and impeccable flawless finish.



PONY HARS TECHNOLOGY

Is an efficient system for the recapture of hot air produced by the machine allowing a substantial reduction of drying times and energy consumptions and an increase in productivity while improving the work environment.



PONY TOUCH TECHNOLOGY

Pony Touch Logic is a cutting edge full color touch screen which allows a total control over the machine: productivity, diagnostics, maintenance alerts, auto-test and software updates. If connected through an Ethernet port, all these activities can be carried out even from a remote location.



PONY NO-SHINE TECHNOLOGY

All pressing heads of shirt finishers and collar & cuff presses are Teflon-coated to achieve a flawless, immaculate finish avoiding any shine on dark fabrics.



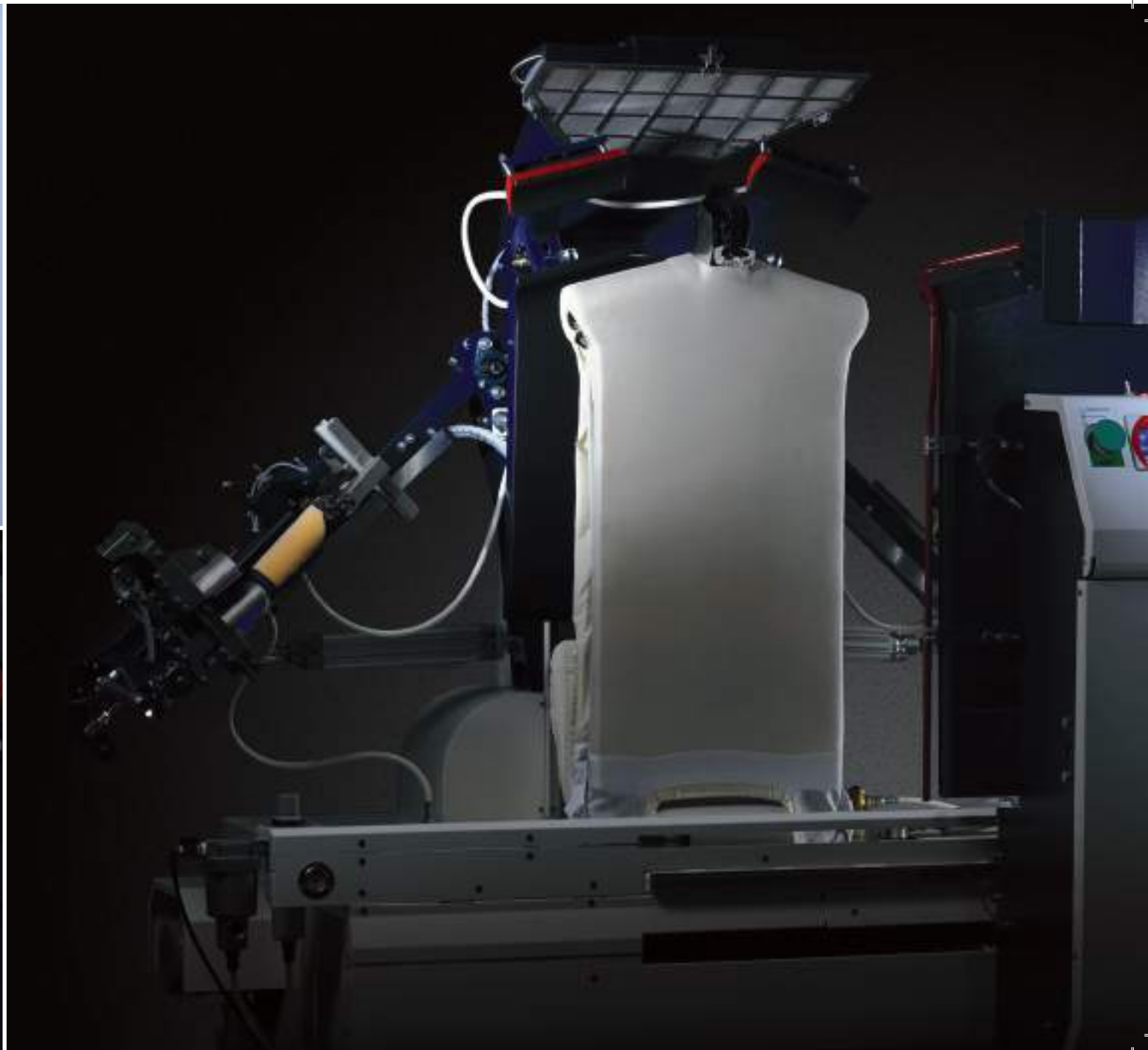
EAGLE 2.0 Performance flies high



INTUITIVE, FAST, PRECISE AS AN EAGLE

- Pony Eagle quickly presses the parts of the shirt that are difficult to dry and require an accurate definition; it blows the most irregular parts, adapting to different designs and sizes.
- Exquisite finish of the shirt yoke through its embracing shoulder press.
- No more touch-up needed, thanks to the advanced tensioning system with incomparable finishing quality of the lateral seams and of the bottom part of the shirt.





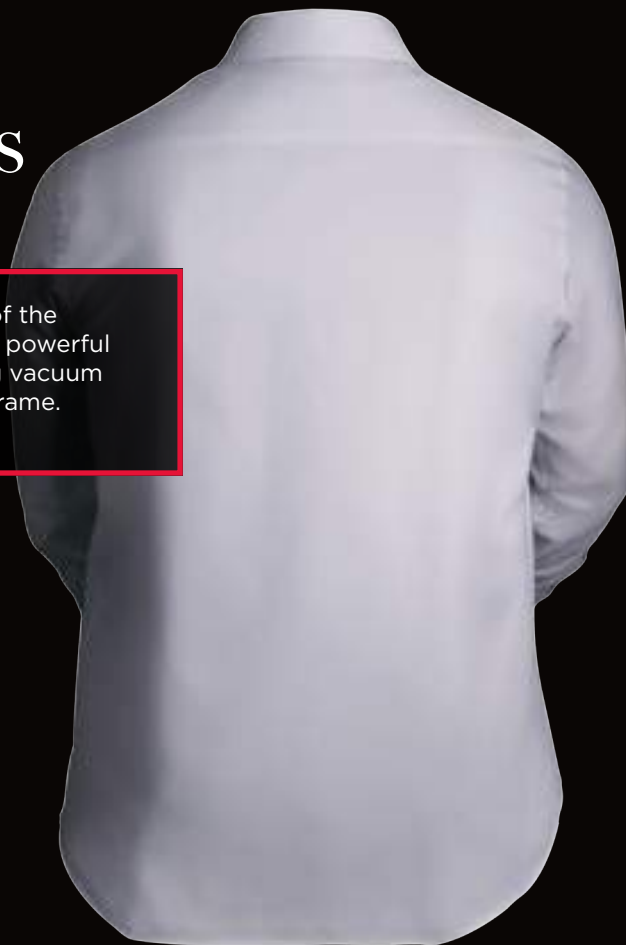
ANGEL 2.0

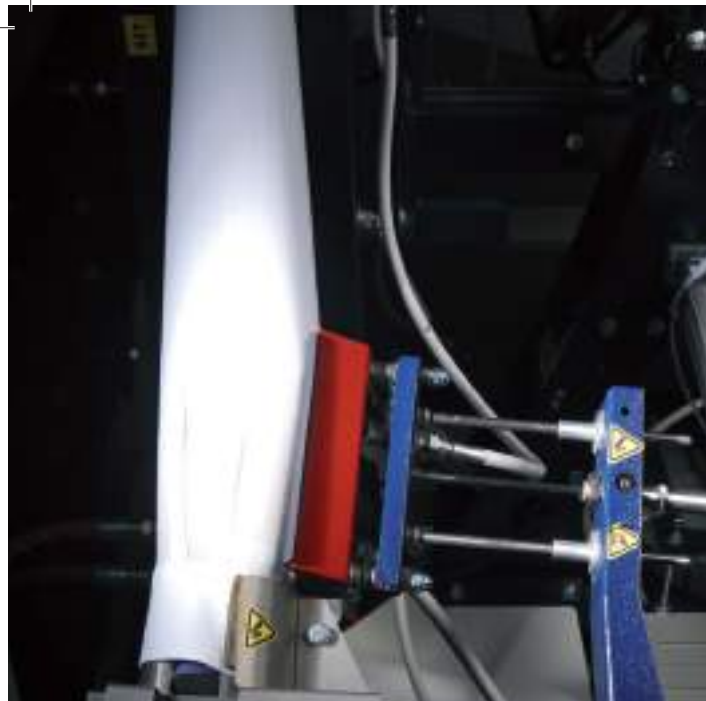
The Angel of Progress



TECHNOLOGY HEART, HUMAN APPROACH

- High productivity and top quality finishing while reducing energy consumptions.
- Engineered for the maximum operator's comfort: reduced noise and heat dispersions, height adjustable, handy and user-friendly controls.
- Quick dressing of the shirt thanks to the powerful and energy-saving vacuum integrated in the frame.





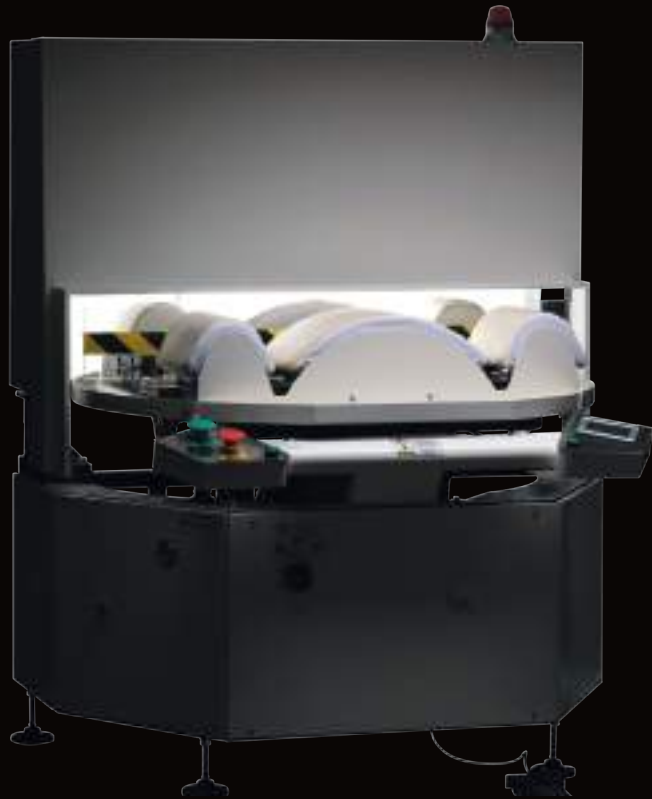


DB 360 Double is Better



DOUBLE DOWN TO THE FINEST PONY TECHNOLOGY

- Speed up your productivity and keep your costs down obtaining uncompromised quality and excellent performances.
- Press hundreds of thousands of shirts at superb quality thanks to the stability and resilience of the machine structure.
- Reduce your down times by pressing the shoulders during rotation.



QUAD



Quadruple Rotary Collar and Cuff Press. Production up to 240 shirts/hr

CCP



Collar and cuff press. Production up to 80 shirts/hr



DOUBLE



Double Collar and Cuff press. Production up to 180 shirts/hr



SMART



Vertical Collar and Cuff Press. Production up to 80 shirts/hr

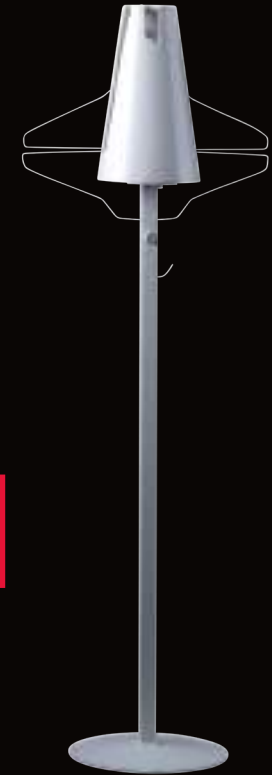


PCM

Manual shirt folder for a like-new look of the shirt

COLLAR FORM

Properly breaks collar and supports shirt hanger .
Also available in a heated model



POLE

with four supports for shirts, to be used after the
“collar and cuff” cycle.





DAMP BOX

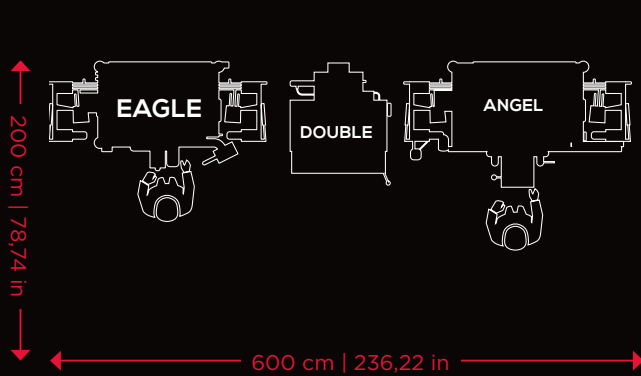
304 grade stainless steel box to keep the shirts moist before the finishing cycle



SPARE PARTS AND COVERS

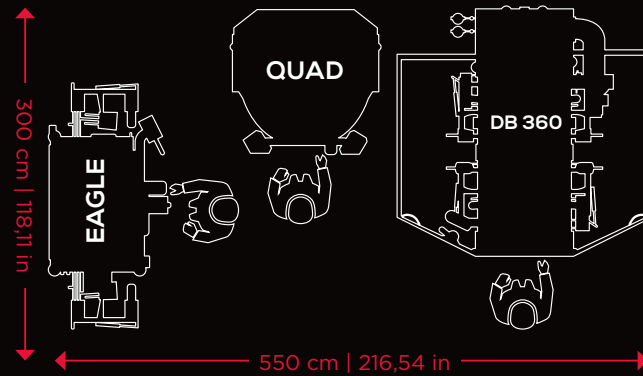
In order to maintain high performances on your machines,
we recommend using original PONY spare parts and covers





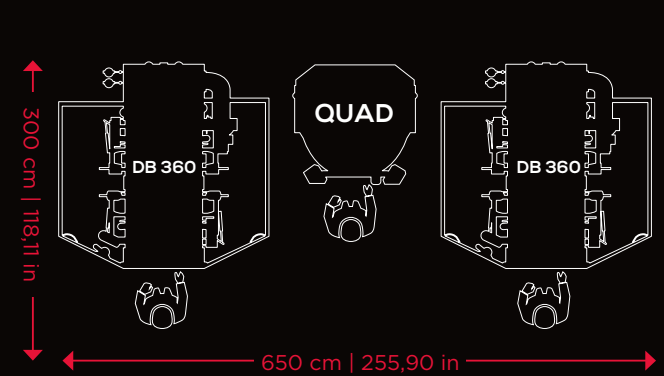
**EAGLE
+ DOUBLE
+ ANGEL**

2 operators up to 110 shirts/hr



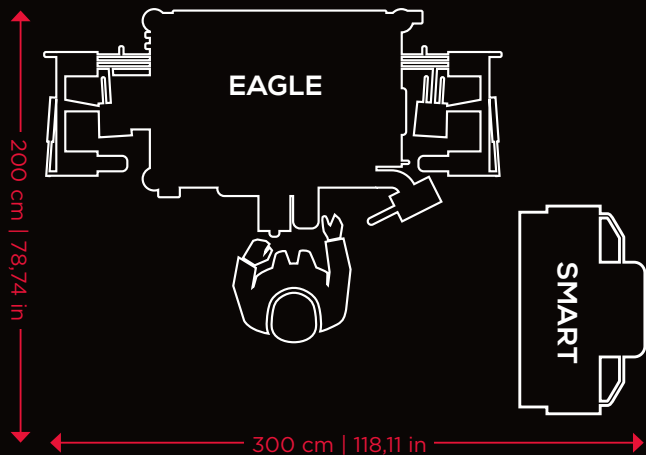
**EAGLE
+ QUAD
+ DB360**

3 operators up to 170 shirts/hr



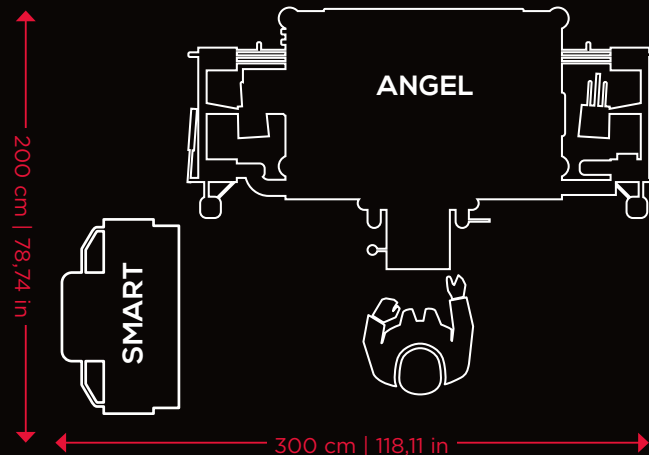
**DB360
+ QUAD
+ DB360**

3 operators up to 240 shirts/hr



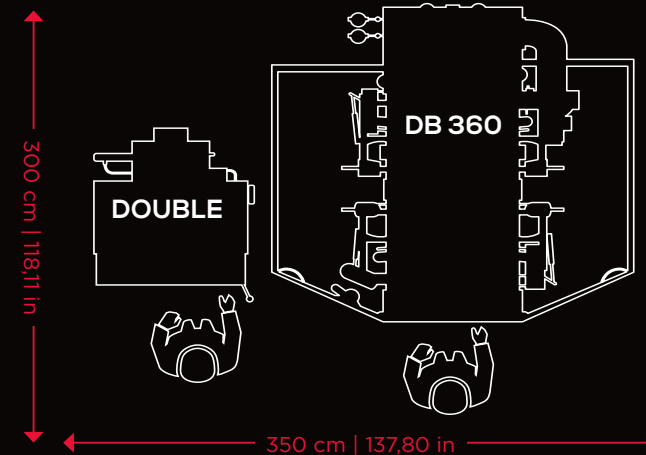
EAGLE + SMART

1 operator up to 50 shirts/hr



ANGEL + SMART

1 operator up to 60 shirts/hr



DB360 + DOUBLE

2 operators up to 120 shirts/hr

Pony Spa

Via G. Di Vittorio, 8
20065 Inzago (MI) Italy

Tel: +39029549901
Fax: +39029547557

Toll Free 1-800-816-2243

www.ponyitaly.com
pony@ponyitaly.com

www.pony-usa.com
sales@pony-usa.com

Gooder Equipment

New Zealand Distributor

www.gooder.co.nz

0800 629 824