



Commercial Neptune[®] high-efficiency washers

Our Fastest-Selling Washer!



Model MAH21PN

Maytag[®] Commercial Neptune[®] high-efficiency washers require substantially less water and energy than conventional washers. Yet, with no agitator, they hold substantially more laundry, including big and bulky items like bedspreads, blankets and throw rugs. High-speed extraction up to 1,000 rpm and 300 g's saves energy and reduces drying time to help dryers keep better pace with washers.

microprocessor non-coin

*Greater capacity lets you
wash more laundry per load!*

**SAVE UP TO
50% OR MORE
EVERY YEAR***
ON ENERGY, WATER AND
SEWER COSTS.

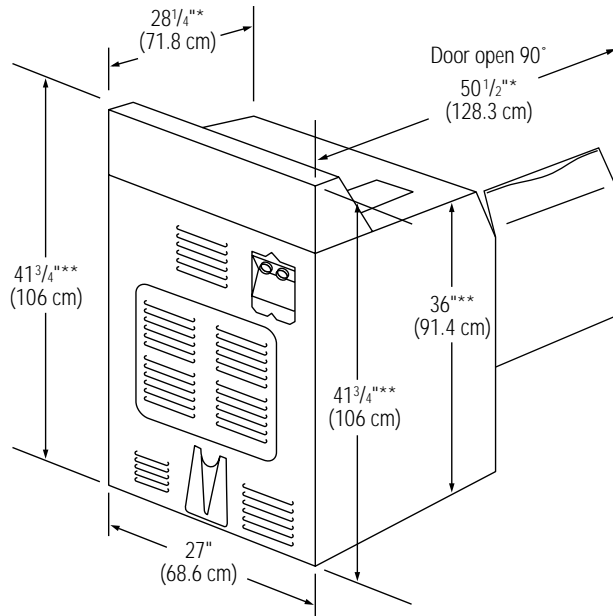
Maytag Computer Trac[®] controls are easy to program and provide one-touch cycle selection. The panel displays operating instructions, a countdown of the cycle time remaining and more. There's even an optional liquid chemical supply system.

For Your Operation:

- Up to 32% greater capacity than conventional washers with an agitator.
- Optional liquid chemical supply system.
- Extra-large opening — door opens 180° for easy loading and unloading.
- Automatic load-balancing system allows spin speeds up to 300 g's for a higher rate of water extraction.
- Built-in anti-vibration mechanism assures years of durable operation.
- Switched reluctance motor is quieter and has a longer life expectancy than brush-type motors.
- Reversible door provides installation flexibility.
- Meets ADA accessibility guidelines.
- Simple soft-mount design for easy installation — no need to bolt the machine down.

*Based on testing with an 8-pound AHAM load with 15% hot-, 55% warm- and 30% cold-water wash at five turns per day and 365 days per year. Water, gas and sewer costs based on 2000 average U.S. national rates. Individual savings may vary.

Model MAH21PN



Motor: 120 volts, 50/60 Hz, variable speed, reversible, high-efficiency, switched reluctance motor. Develops 1/4 HP in wash and 1/2 HP in spin. Export models — 240 volts, 50 Hz.

Capacity: 2.9 cubic feet (0.08 cu. m).

Inlet Hose Length: 4 feet (1.22 m).

Drain Hose Length: 42 inches (109.7 cm).

Approximate Water Usage: 5.5 gallons (18.9 liters) hot-water cycle, 2 gallons (9.5 liters) warm-water cycle, approximately 15 gallons (56.7 liters) overall.¹

Electrical Rating: 120 volts, 60 Hz. Export models — 240 volts, 50 Hz.

Fuse Requirement: 15 amp.

Leveling Legs: Adjustable to level washer for proper installation.

Color: White.

Approximate Weight (Crated/Uncrated):
225 lbs. (102 kg) / 195 lbs. (88 kg).

*Includes hinge on back of washer.

**Dimensions will vary according to adjustment of leveling legs; add 2" min.

¹Average based on testing with an 8-pound AHAM load. If optional additional rinse is used, add 5 gallons; not dependent on incoming pressure or time.



See specific instructions for proper installation. Specifications are subject to change without notice.

Quality Features



Big-Load Door Opening

Makes loading and unloading laundry a breeze. Extra-large stainless steel wash basket is designed to last a lifetime.



Porcelain-Enamel Top

Provides a glass-smooth surface that resists scratches and laundry chemicals to keep your washer looking like new for years.



Computer Trac® Controls

Simple to operate. The panel displays flexible programming, instructions and more. Once the cycle begins, it counts down the remaining time.



Precision Endurance Drive

Smooth and quiet. Drive adjusts to every installation and features an energy-saving switched reluctance motor.

Maytag® Limited Warranty

2 YEARS — All parts

For a period from the date of original purchase through the times listed above, the designated parts that fail in normal commercial use will be repaired or replaced free of charge for the part itself, with the owner paying all other costs, including labor, transportation and customs duty. Chemical damage is excluded from all warranty coverage. See complete warranty for details.

